



C2R2MAX

SETUP Sheet

Event		Car N° (chassis)	R2 Max	SET-UP "GOOD GRAVEL"
Date		Surface	Gravel	
Crew		Weather conditions	Dry	

General informations

DIMENSIONS	Rims		6 x 15					Target (*)	
	Tyres	BF Goodrich	195/65-15	Setup pressure	bars	2		Front : 2,4 bars	
								Rear : 2,2 bars	
	(*) : The target means a tyre pressure just at the end of a 15kms long special stage.								
	Weight balance per wheel (with 20L)	kg	Front L		Front R	Ballast detail	Weight on front	%	
	kg	Rear L		Rear R		Delta L/R	Kg		
Crew weight	kg	Driver		Navigator		Diago delta.	Kg		
Total weight	kg			Balast	Kg				
Total weight without crew	kg								

Front axle specification

SUSPENSION	Main spring	daN/mm	3,7					
	Intermediate spring	daN/mm	0,4					
	Shock absorber	spec	ABO-RA-070097	Pressure	bars	12	Clics base (c / C / D)	-7 / -12 / -13
	Shock setting		Hydraulic bump stop			-15	Clics	
	Anti roll bar	mm		ø 18 full				
	Anti roll bar link length	mm	Left		245 mm (the second has to be adjusted)			Right
Wheel spacer	mm	Left		spacer of 5 mm			Right	

GEOMETRY	Ride height (A)	mm	Left		295mm, subframe bolt		Right
	Distance between spring cup	mm	Left		1 rev => 1,5 mm ride height		Right
	Toe "in"	mm	Left		0 mm total, toe in on brakes		Right
	Camber with Michelin tyres	°/'	Left		1°40'		Right
	Steering joint ball length	mm	Left		1 rev => 4,8 mm at the wheel		Right
Caster	°/'	Left				Right	

Rear Axle specifications

SUSPENSION	Main Spring	daN/mm	3,1					
	Intermediate spring	daN/mm	0,5	S1600 spec				
	Shock absorber	spec	ABO-RA-070079	Pressure	bars	12	Clics base (c / C / D)	-5 / -10 / -13
	Shock setting		Hydraulic bump stop			-1,5 revs	Clics	
	Rear axle crossmember	mm		4/20,5				
	Wheel spacer	mm	Left		spacer of 5mm in option			Right

GEOMETRY	Ride height (B)	mm	Left		410mm on rear body cross member		Right
	Spring cup measurement (D)	mm	Left		1 rev => 2 mm ride height		Right
	Wheel base with crew	mm	Left				Right
	Toe in	mm	Left		5 mm "in" Total		Right
	Toe in shim	°/'	Left		"-" means less toe in		Right
	Camber with Michelin tyre	°/'	Left		1°30'		Right
Camber shim	°/'	Left		"-" means less camber		Right	

Steering specifications

BRAKES	Caliper (Piston Ø / nb)	mm	Left	42/38	4 pistons	31,8	2 pistons	Rear	
	Diameter / Thickness (bd new)	mm	Left		266/22		280 / 8	Rear	
	Pads (Mark / model)	spec	Left		FERODO DS3000		FERODO DS3000	Rear	
	Master cylinder (Ø)	inch	Principal		22 mm	Without servo		0.700"	HB
	Rear brake pressure limiter	spec			Bendix	Cutting	bars		

Steering specifications

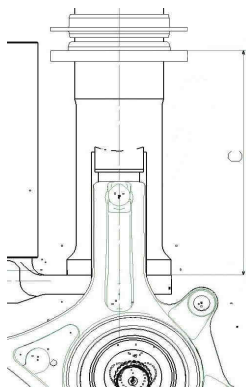
STE	Steering rack	spec		BCSP4000ZN, CITROEN Racing shop		
	Steering rack height setting	mm	Left			Right
	Power steering pump	spec		BCSP4007ZX CITROEN Racing shop		Ø Caliber

Gearbox specifications

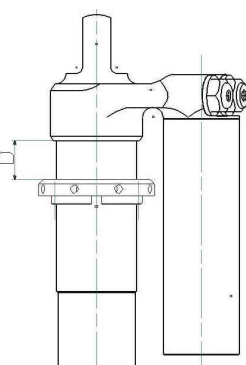
GEAR	Gears	12 x 36	16 x 34	17 x 28	20 x 27	21 x 24	
	Final ratio (speed in accordance)	13x54 (long, 195km/h)		12x53 (medium, 183km/h)		12x57 (short, 171km/h)	
	Differential	Accel	30	Deccel	90	Preload	9 m.daN



Front spring cup measurement

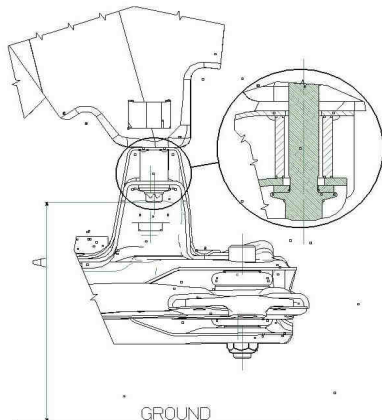


Rear spring cup measurement

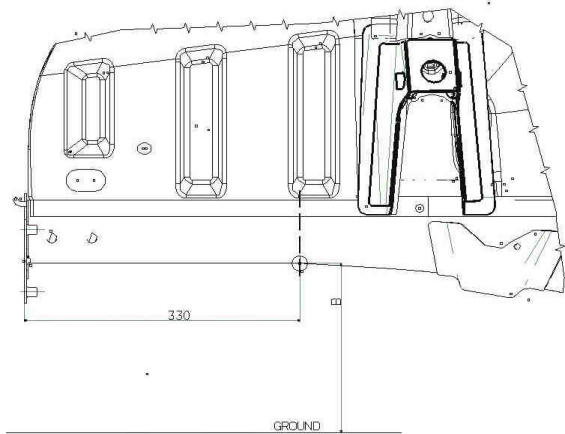


IMPORTANT: By the "R" rules, the F.I.A limits the low ride height. Please, check the page 1 and 2 of the 28/02 VR2B sheet to know the measurement values, and how / where measuring it.

Front ride height measurement



Rear ride height measurement





C2R2MAX



Weight balance setup sheet

Configuration conditions :

20 liters of fuel in the tank.
 1 only spare wheel
 4 wheels equipped with brand new racing tyres P = 2 bars.
 Inboard tool set installed (tools, jack, makita, spare parts)
 Front anti-roll bar disconnected
 Driver (helmet, shoes,...) installed.
 Co-driver (helmet, shoes,...) installed.

R2 Homologation weight :

1030 kg without crew
 1180 kg with the crew

Ballast :

Sump guard :
Inside :

FRONT AXLE WEIGHT TARGET : LESS THAN 1 KG

Example : Left front wheel 364 kg / Right front wheel 363,5 kg

Front Left	
Mass	Kg
Ride Height	
Target (A)	mm
Measure (A)	mm
Spring cup measurement	
Measure (C)	mm



Front Right	
Mass	Kg
Ride Height	
Target (A)	mm
Measure (A)	mm
Spring cup measurement	
Measure (C)	mm

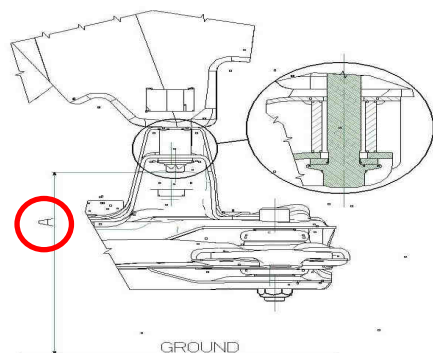
Rear Left	
Mass	Kg
Ride Height	
Target (B)	mm
Measure (B)	mm
Spring cup measurement	
Measure (D)	mm

Rear Right	
Mass	Kg
Ride Height	
Target (B)	mm
Measure (B)	mm
Spring cup measurement	
Measure (D)	mm

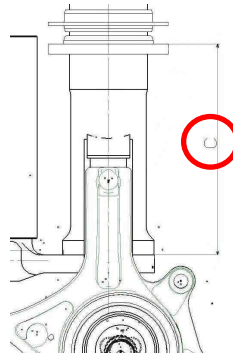
REAR AXLE WEIGHT TARGET : LESS THAN 5 KG

Example : Rear left wheel 228 kg / Rear right wheel 224 kg

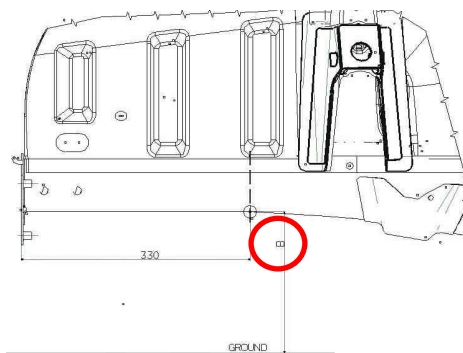
Front ride height measurement



Front spring cup measurement



Rear ride height measurement



Rear spring cup measurement

