



# C2R2MAX

## SETUP Sheet

Event		Car N° (chassis)	R2 Max
Date		Surface	Tarmac
Crew		Weather conditions	wet

**TARMAC SET-UP  
"WET CONDITIONS"**

### General informations

Rims		6.5 x 16				<b>Target (*)</b>
Tyres	Michelin	17 / 60 - 16	Setup pressure	bars	2	<b>Front : 2.4 bars</b>
						<b>Rear : 2.2 bars</b>

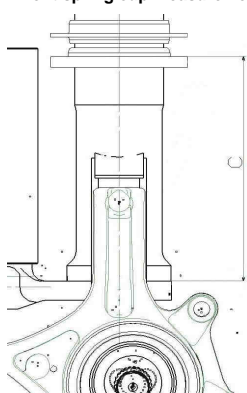
(\*) : The target means a tyre pressure just at the end of a 15kms long special stage.

DIMENSIONS	Weight balance per wheel (with 20L)	kg	Front L		Front R	Ballast detail	Weight on front	%	
		kg	Rear L		Rear R		Delta L/R	Kg	
	Crew weight	kg	Driver		Navigator		Diago delta.	Kg	
	Total weight	kg				Balast	Kg		
	Total weight without crew	kg							

### Front axle specification

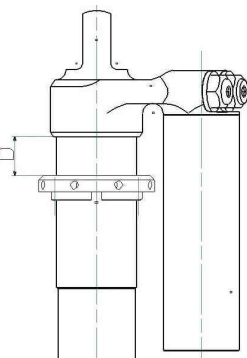
SUSPENSION	Main spring	daN/mm	5					
	Intermediate spring	daN/mm	0,4					
	Shock absorber	spec	ABO-RA-070097	Pressure	bars	12	Clics base (c / C / D)	-11 / -15 / -12
	Shock setting		Hydraulic bump stop			-15	Clics	
	Anti roll bar	mm	ø 20 full					
	Anti roll bar link length	mm	Left	285 mm (the second has to be adjusted)			Right	
	Wheel spacer	mm	Left	No			Right	

Front spring cup measurement



GEOMETRY	Ride height (A)	mm	Left	240mm, subframe bolt		Right
	Distance between spring cup	mm	Left	1 rev => 1.5 mm ride height		Right
	Toe "in"	mm	Left	0 mm total, toe in on brakes		Right
	Camber with Michelin tyres	°/'"	Left	2°20'		Right
	Camber with Pirelli tyres	°/'"	Left	2°50'		Right
	Steering joint ball length	mm	Left	1 rev => 4,8 mm at the wheel		Right
	Caster	°/'"	Left			Right

Rear spring cup measurement



### Rear Axle specifications

SUSPENSION	Main Spring	daN/mm	3,7					
	Intermediate spring	daN/mm	0,5	S1600 spec				
	Shock absorber	spec	ABO-RA-070079	Pressure	bars	12	Clics base (c / C / D)	-15 / -15 / -15
	Shock setting		Hydraulic bump stop			-1,5 revs	Clics	
	Rear axle crossmember	mm	5/26 full					
	Wheel spacer	mm	Left	No			Right	

GEOMETRY	Ride height (B)	mm	Left	360mm on rear body cross member		Right
	Spring cup measurement (D)	mm	Left	1 rev => 2 mm ride height		Right
	Wheel base with crew	mm	Left			Right
	Toe in	mm	Left	5 mm "in" Total		Right
	Toe in shim	°/'"	Left	"-" means less toe in		Right
	Camber with Michelin tyre	°/'"	Left	1°45'		Right
	Camber with Pirelli tyres	°/'"	Left	2°		Right
	Camber shim	°/'"	Left	"-" means less camber		Right

### Braking specifications

BRAKES	Caliper (Piston Ø / nb)	mm	Left	44 / 40	4 pistons	31,8	2 pistons	Rear
	Diameter / Thickness (bd new)	mm	Left	302 / 26		280 / 8		Rear
	Pads (Mark / model)	spec	Left	Pagid / RS 15		FERODO DS3000		Rear
	Master cylinder (Ø)	inch	Principal	22 mm	Without servo		0.700"	HB
	Rear brake pressure limiter	spec	Bendix	Cutting	bars			

### Steering specifications

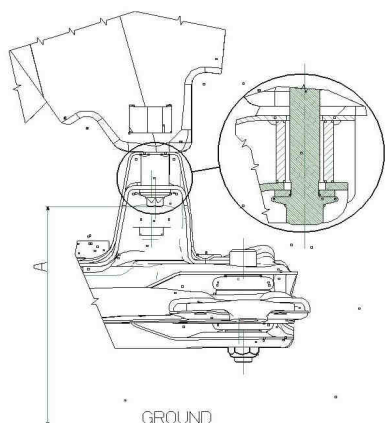
STE	Steering rack	spec		BCSP4000ZN, CITROEN Racing shop		
	Steering rack height setting	mm	Left			Rear
	Power steering pump	spec		BCSP4007ZX CITROEN Racing shop	Ø Caliber	

### Gearbox specifications

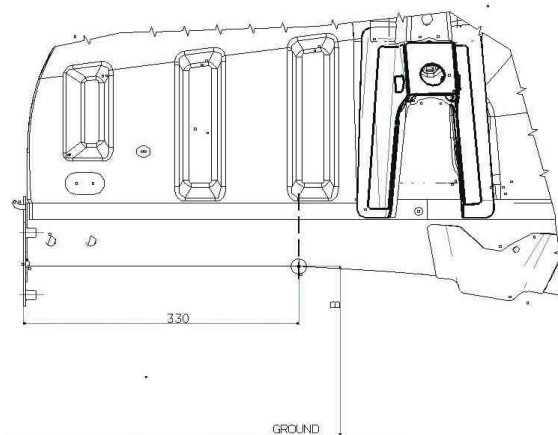
GEAR	Gears	12 x 36	16 x 34	17 x 28	20 x 27	21 x 24	
	Final ratio (speed in accordance)	13x54 (long, 195km/h)		12x53 (medium, 183km/h)		12x57 (short, 171km/h)	
	Differential	Accel	30	Deccel	90	Preload	9 m.daN

**IMPORTANT :** By the "R" rules, the F.I.A limits the low ride height. Please, check the page 1 and 2 of the 28/02 VR2B sheet to know the measurement values, and how / where measuring it.

Front ride height measurement



Rear ride height measurement





# C2R2MAX



## Weight balance setup sheet

### Configuration conditions :

20 liters of fuel in the tank.  
 1 only spare wheel  
 4 wheels equipped with brand new racing tyres P = 2 bars.  
 Inboard tool set installed (tools, jack, makita, spare parts)  
 Front anti-roll bar disconnected  
 Driver (helmet, shoes,...) installed.  
 Co-driver (helmet, shoes,...) installed.

### R2 Homologation weight :

**1030 kg** without crew  
**1180 kg** with the crew

### Ballast :

Sump guard :  
Inside :

**FRONT AXLE WEIGHT TARGET : LESS THAN 1 KG**

**Example :** Left front wheel 364 kg / Right front wheel 363,5 kg

Front Left	
Mass	Kg
Ride Height	
Target (A)	mm
Measure (A)	mm
Spring cup measurement	
Measure (C)	mm



Front Right	
Mass	Kg
Ride Height	
Target (A)	mm
Measure (A)	mm
Spring cup measurement	
Measure (C)	mm

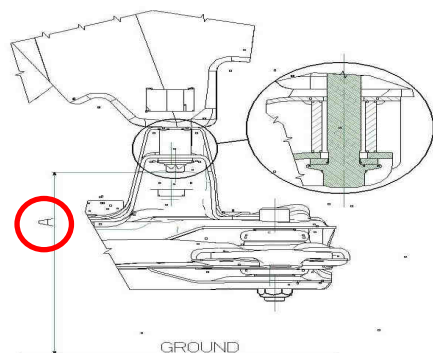
Rear Left	
Mass	Kg
Ride Height	
Target (B)	mm
Measure (B)	mm
Spring cup measurement	
Measure (D)	mm

Rear Right	
Mass	Kg
Ride Height	
Target (B)	mm
Measure (B)	mm
Spring cup measurement	
Measure (D)	mm

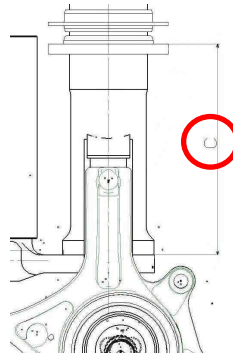
**REAR AXLE WEIGHT TARGET : LESS THAN 5 KG**

**Example :** Rear left wheel 228 kg / Rear right wheel 224 kg

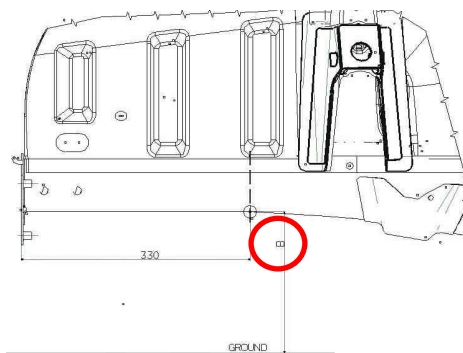
Front ride height measurement



Front spring cup measurement



Rear ride height measurement



Rear spring cup measurement

