



C2R2MAX

SETUP Sheet

Event		Car N° (chassis)	R2 Max
Date		Surface	Tarmac
Crew		Weather conditions	Dry

**TARMAC SET-UP
"MIDDLE GRIP"**

General informations

DIMENSIONS	Rims	6.5 x 16		Setup pressure	bars	2	Target (*)
	Tyres	Michelin	17 / 60 - 16				Front : 2.4 bars Rear : 2.2 bars
	(*) : The target means a tyre pressure just at the end of a 15kms long special stage.						
	Weight balance per wheel (with 20L)	kg	Front L		Front R	Ballast detail	Weight on front
	kg	Rear L		Rear R		Delta L/R	Kg
	kg	Driver		Navigator		Diago delta.	Kg
	kg			Balast	Kg		
	kg						
	kg						

Front axle specification

SUSPENSION	Main spring	daN/mm	5,5					
	Intermediate spring	daN/mm	0,4					
	Shock absorber	spec	ABO-RA-070097	Pressure	bars	12	Clics base (c / C / D)	-11 / -15 / 12
	Shock setting		Hydraulic bump stop			-15	Clics	
	Anti roll bar	mm		ø 21 full				
	Anti roll bar link length	mm	Left		285 mm (the second has to be adjusted)			Right
Wheel spacer	mm	Left		No			Right	

GEOMETRY	Ride height (A)	mm	Left	230mm, subframe bolt			Right
	Distance between spring cup	mm	Left	1 rev => 1.5 mm ride height			Right
	Toe "in"	mm	Left	0 mm total, toe in on brakes			Right
	Camber with Michelin tyres	°/'"	Left	2'50"			Right
	Steering joint ball length	mm	Left	1 rev => 4.8 mm at the wheel			Right
	Caster	°/'"	Left				Right

Rear Axle specifications

SUSPENSION	Main Spring	daN/mm	4,1					
	Intermediate spring	daN/mm	0,5	S1600 spec				
	Shock absorber	spec	ABO-RA-070079	Pressure	bars	12	Clics base (c / C / D)	-15 / -15 / 15
	Shock setting		Hydraulic bump stop			-1.5 revs	Clics	
	Rear axle crossmember	mm		5/26 full				
	Wheel spacer	mm	Left		No			Right

GEOMETRY	Ride height (B)	mm	Left	350mm on rear body cross member			Right
	Spring cup measurement (D)	mm	Left	1 rev => 2 mm ride height			Right
	Wheel base with crew	mm	Left				Right
	Toe in	mm	Left	5 mm "in" Total			Right
	Toe in shim	°/'"	Left	"-" means less toe in			Right
	Camber with Michelin tyre	°/'"	Left	1'50"			Right
Camber shim	°/'"	Left	"-" means less camber			Right	

Braking specifications

BRAKES	Caliper (Piston Ø / nb)	mm	Left	44 / 40	4 pistons	31,8	2 pistons	Rear
	Diameter / Thickness (bd new)	mm	Left	302 / 26		280 / 8		Rear
	Pads (Mark / model)	spec	Left	Pagid / RS 15		FERODO DS3000		Rear
	Master cylinder (Ø)	inch	Principal	22 mm	Without servo		0.700"	HB
	Rear brake pressure limiter	spec		Bendix	Cutting	bars		

Steering specifications

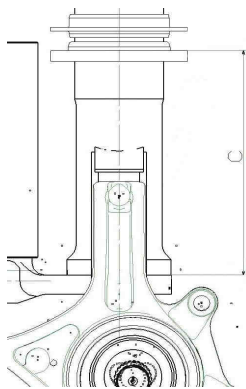
STE	Steering rack	spec		BCSP4000ZN, CITROEN Racing shop			
	Steering rack height setting	mm	Left				Rear
	Power steering pump	spec		BCSP4007ZX CITROEN Racing shop		Ø Caliber	

Gearbox specifications

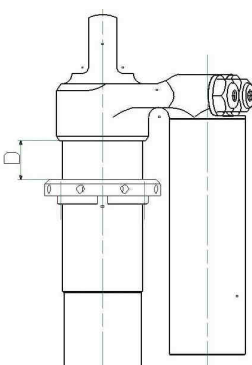
GEAR	Gears	12 x 36	16 x 34	17 x 28	20 x 27	21 x 24	
	Final ratio (speed in accordance)	13x54 (long, 195km/h)		12x53 (medium, 183km/h)		12x57 (short, 171km/h)	
	Differential	Accel	30	Deccel	90	Preload	9 m.daN



Front spring cup measurement

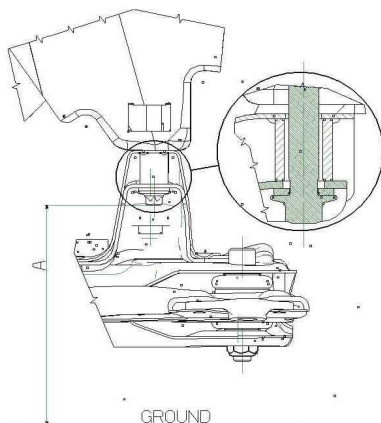


Rear spring cup measurement

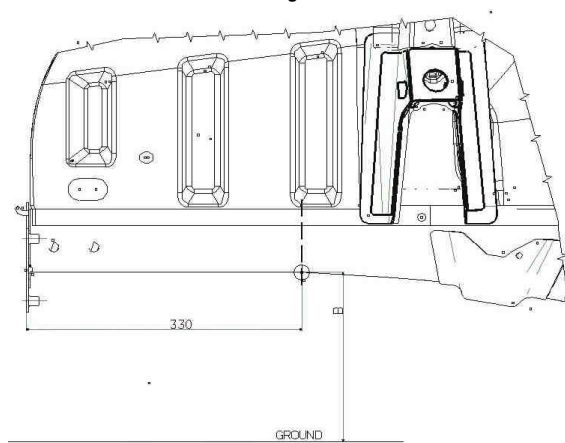


IMPORTANT : By the "R" rules, the F.I.A limits the low ride height. Please, check the page 1 and 2 of the 28/02 VR2B sheet to know the measurement values, and how / where measuring it.

Front ride height measurement



Rear ride height measurement





C2R2MAX



Weight balance setup sheet

Configuration conditions :

20 liters of fuel in the tank.
 1 only spare wheel
 4 wheels equipped with brand new racing tyres P = 2 bars.
 Inboard tool set installed (tools, jack, makita, spare parts)
 Front anti-roll bar disconnected
 Driver (helmet, shoes,...) installed.
 Co-driver (helmet, shoes,...) installed.

R2 Homologation weight :

1030 kg without crew
1180 kg with the crew

Ballast :

Sump guard :

Inside :

FRONT AXLE WEIGHT TARGET : LESS THAN 1 KG

Example : Left front wheel 364 kg / Right front wheel 363,5 kg

Front Left	
Mass	Kg
Ride Height	
Target (A)	mm
Measure (A)	mm
Spring cup measurement	
Measure (C)	mm



Front Right	
Mass	Kg
Ride Height	
Target (A)	mm
Measure (A)	mm
Spring cup measurement	
Measure (C)	mm

Rear Left	
Mass	Kg
Ride Height	
Target (B)	mm
Measure (B)	mm
Spring cup measurement	
Measure (D)	mm

Rear Right	
Mass	Kg
Ride Height	
Target (B)	mm
Measure (B)	mm
Spring cup measurement	
Measure (D)	mm

REAR AXLE WEIGHT TARGET : LESS THAN 5 KG

Example : Rear left wheel 228 kg / Rear right wheel 224 kg

Front ride height measurement

Front spring cup measurement

Rear ride height measurement

Rear spring cup measurement

