



C2R2MAX

SETUP Sheet

Event		Car N° (chassis)	R2 Max	SET-UP "BAD GRAVEL"
Date		Surface	Gravel	
Crew		Weather conditions	Dry	

General informations

DIMENSIONS	Rims	6 x 15					Target (*)	
	Tyres	BF Goodrich	195/65-15	Setup pressure	bars	2	Front : 2,4 bars	
	(*) : The target means a tyre pressure just at the end of a 15kms long special stage.							
								Rear : 2,2 bars
	Weight balance per wheel (with 20L)	kg	Front L		Front R	Ballast detail	Weight on front	%
		kg	Rear L		Rear R		Delta L/R	Kg
	Crew weight	kg	Driver		Navigator		Diago delta.	Kg
	Total weight	kg			1180 min	Balast	Kg	
	Total weight without crew	kg			1030 min			

Front axle specification

SUSPENSION	Main spring	daN/mm	4,5				
	Intermediate spring	daN/mm	0,4				
	Shock absorber	spec	ABO-RA-070097	Pressure	bars 12	Clicks base (c / C / D)	-7 / -12 / 13
	Shock setting		Hydraulic bump stop		-15	Clicks	
	Anti roll bar	mm	ø 18 full				
	Anti roll bar link length	mm	Left	245 mm (the second has to be adjusted)		Right	
Wheel spacer	mm	Left	spacer of 5mm		Right		

GEOMETRY	Ride height (A)	mm	Left	305mm, subframe bolt		Right
	Distance between spring cup	mm	Left	1 rev => 1,5 mm ride height		Right
	Toe "in"	mm	Left	0 mm total, toe in on brakes		Right
	Camber with Michelin tyres	°/'	Left	1°40'		Right
	Steering joint ball length	mm	Left	1 rev => 4,8 mm at the wheel		Right
	Caster	°/'	Left			Right

Rear Axle specifications

SUSPENSION	Main Spring	daN/mm	3,8				
	Intermediate spring	daN/mm	0,5				
	Shock absorber	spec	ABO-RA-070079	Pressure	bars 12	Clicks base (c / C / D)	-5 / -10 / 13
	Shock setting		Hydraulic bump stop		-1,5 revs	Clicks	
	Rear axle crossmember	mm	4/20,5				
	Wheel spacer	mm	Left	spacer of 5mm in option		Right	

GEOMETRY	Ride height (B)	mm	Left	420mm on rear body cross member		Right
	Spring cup measurement (D)	mm	Left	1 rev => 2 mm ride height		Right
	Wheel base with crew	mm	Left			Right
	Toe in	mm	Left	5 mm "in" Total		Right
	Toe in shim	°/'	Left	"-." means less toe in		Right
	Camber with Michelin tyre	°/'	Left	1°30'		Right
Camber shim	°/'	Left	"-." means less camber		Right	

Steering specifications

BRAKES	Caliper (Piston Ø / nb)	mm	Left	42/38	4 pistons	31,8	2 pistons	Rear
	Diameter / Thickness (bd new)	mm	Left	266/22		280 / 8		Rear
	Pads (Mark / model)	spec	Left	FERODO DS3000		FERODO DS3000		Rear
	Master cylinder (Ø)	inch	Principal	22 mm		Without servo		0.700" HB
	Rear brake pressure limiter	spec		Bendix	Cutting	bars		

Steering specifications

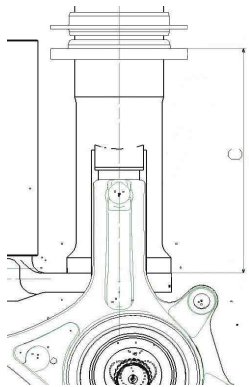
STE	Steering rack	spec	BCSP4000ZN, CITROEN Racing shop		
	Steering rack height setting	mm	Left		Right
	Power steering pump	spec	BCSP4007ZX CITROEN Racing shop		Ø Caliber

Gearbox specifications

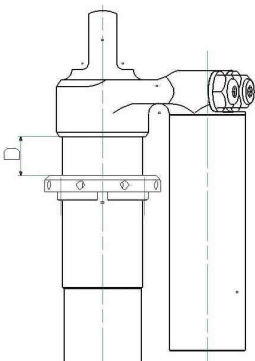
GEAR	Gears	12 x 36	16 x 34	17 x 28	20 x 27	21 x 24
	Final ratio (speed in accordance)	13x54 (long, 195km/h)		12x53 (medium, 183km/h)		12x57 (short, 171km/h)
	Differential	Accel	30	Deccel	90	Preload



Front spring cup measurement

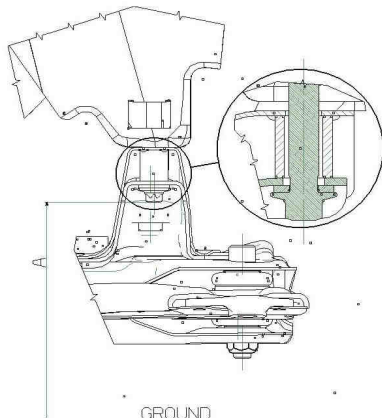


Rear spring cup measurement

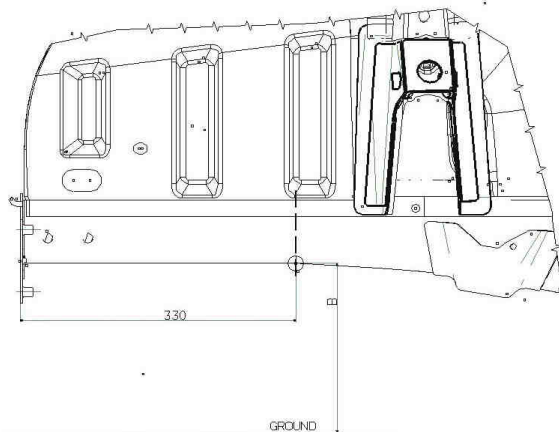


IMPORTANT: By the "R" rules, the F.I.A limits the low ride height. Please, check the page 1 and 2 of the 28/02 VR2B sheet to know the measurement values, and how / where measuring it.

Front ride height measurement



Rear ride height measurement





C2R2MAX



Weight balance setup sheet

Configuration conditions :

20 liters of fuel in the tank.
 1 only spare wheel
 4 wheels equipped with brand new racing tyres P = 2 bars.
 Inboard tool set installed (tools, jack, makita, spare parts)
 Front anti-roll bar disconnected
 Driver (helmet, shoes,...) installed.
 Co-driver (helmet, shoes,...) installed.

R2 Homologation weight :

1030 kg without crew
1180 kg with the crew

Ballast :

Sump guard :
Inside :

FRONT AXLE WEIGHT TARGET : LESS THAN 1 KG

Example : Left front wheel 364 kg / Right front wheel 363,5 kg

Front Left	
Mass	Kg
Ride Height	
Target (A)	mm
Measure (A)	mm
Spring cup measurement	
Measure (C)	mm



Front Right	
Mass	Kg
Ride Height	
Target (A)	mm
Measure (A)	mm
Spring cup measurement	
Measure (C)	mm

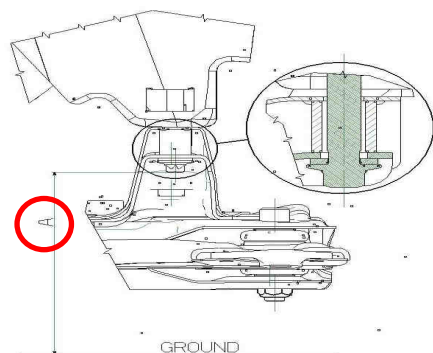
Rear Left	
Mass	Kg
Ride Height	
Target (B)	mm
Measure (B)	mm
Spring cup measurement	
Measure (D)	mm

Rear Right	
Mass	Kg
Ride Height	
Target (B)	mm
Measure (B)	mm
Spring cup measurement	
Measure (D)	mm

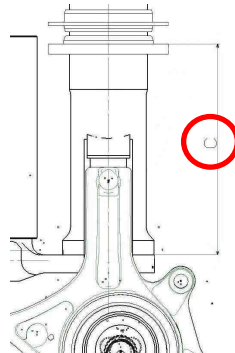
REAR AXLE WEIGHT TARGET : LESS THAN 5 KG

Example : Rear left wheel 228 kg / Rear right wheel 224 kg

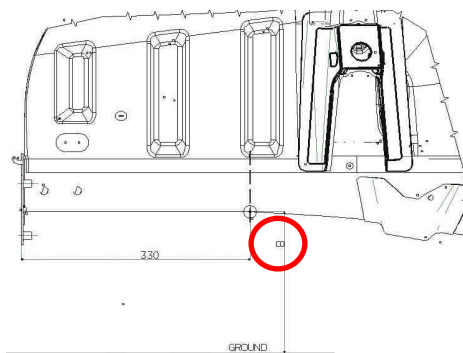
Front ride height measurement



Front spring cup measurement



Rear ride height measurement



Rear spring cup measurement

